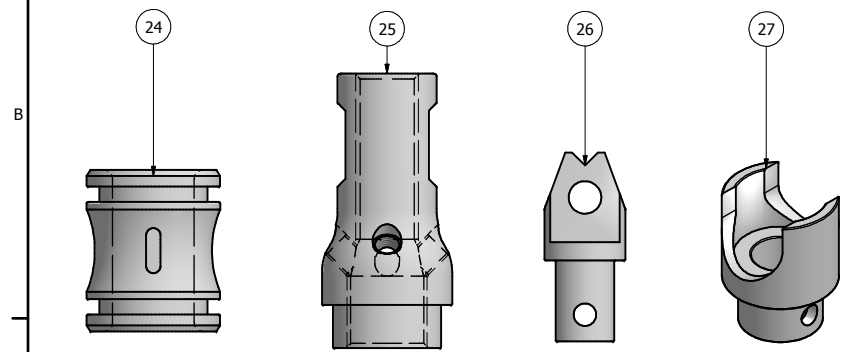


SECTION A-A
SCALE 1 : 1

Note: LL-9726 Locking Coupler Assembly Not Shown.



PARTS LIST				PARTS LIST			
ITEM	QTY	PART NUMBER	DESCRIPTION	ITEM	QTY	PART NUMBER	DESCRIPTION
1	1	LL-9701	RETRIEVING POINT	16	1	LL-9716	PISTON
2	1	LL-9702	ROLL PIN	17	1	LL-9717	J SLOT PIN
3	1	LL-9703	SPRING HOUSING	18	1	LL-9718	SLIDE TUBE
4	1	LL-9704	MAIN SHAFT	19	1	LL-9719	O-RING CARRIER
5	1	LL-9705	MAIN SPRING	20	1	LL-9720	LANDING SHOULDER
6	3	LL-9706	LATCH EARS	21	1	LL-9721	BEARING ADAPTOR
7	1	LL-9707	LATCH BODY	22	2	LL-9722	O-RINGS
8	1	LL-9708	MAIN PIN	23	1	LL-9723	GREASE ZERK
9	1	LL-9709	COTTER PIN				
10	1	LL-9710	ROTATION LOCKING DOG				
11	1	LL-9711	ROTATION LOCKING SPRING				
12	4	LL-9712	ROLL PIN	OPTIONAL PARTS			
13	1	LL-9713	ROLL PIN	ITEM	QTY	PART NUMBERS	DESCRIPTION
14	1	LL-9714	PISTON SHAFT	24	1	LL-9719-A	BWLTK O-RING CARRIER
15	1	LL-9715	PISTON SHAFT SPRING	25	1	LL-9721-A	BWLTK BEARING ADAPTOR
				26	1	LL-9725-A	BWL PIVOT HEAD TOP
				27	1	LL-9725-B	BWL PIVOT HEAD BOTTOM

THIS DRAWING CONTAINS PROPRIETARY INFORMATION AND SHALL NOT BE REPRODUCED, COPIED, OR USED AS A BASIS FOR ANY MANUFACTURING WITHOUT PERMISSION FROM NORTHWEST MACHINE WORKS . ALL DRAWINGS MUST BE RETURNED UPON REQUEST.

PROGRAM NO	REV	GENERAL SPECIFICATIONS UNLESS OTHERWISE SPECIFIED RADIUS ALL CORNERS .0313 ANGLES = +/-1° DEBURR ALL SHARP CORNERS		NO:	REVISIONS:	DATE:	DRAWN BY: Paul C	ISSUED 4/20/2011
							CHECKED BY:	
							DISCUSSION: P & ID Drawing	
							MATERIAL:	
							DWG NO. BWL Latchhead Assembly	