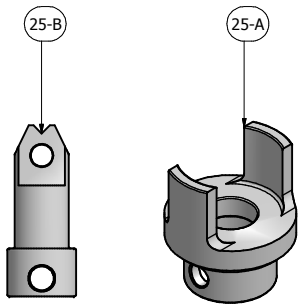


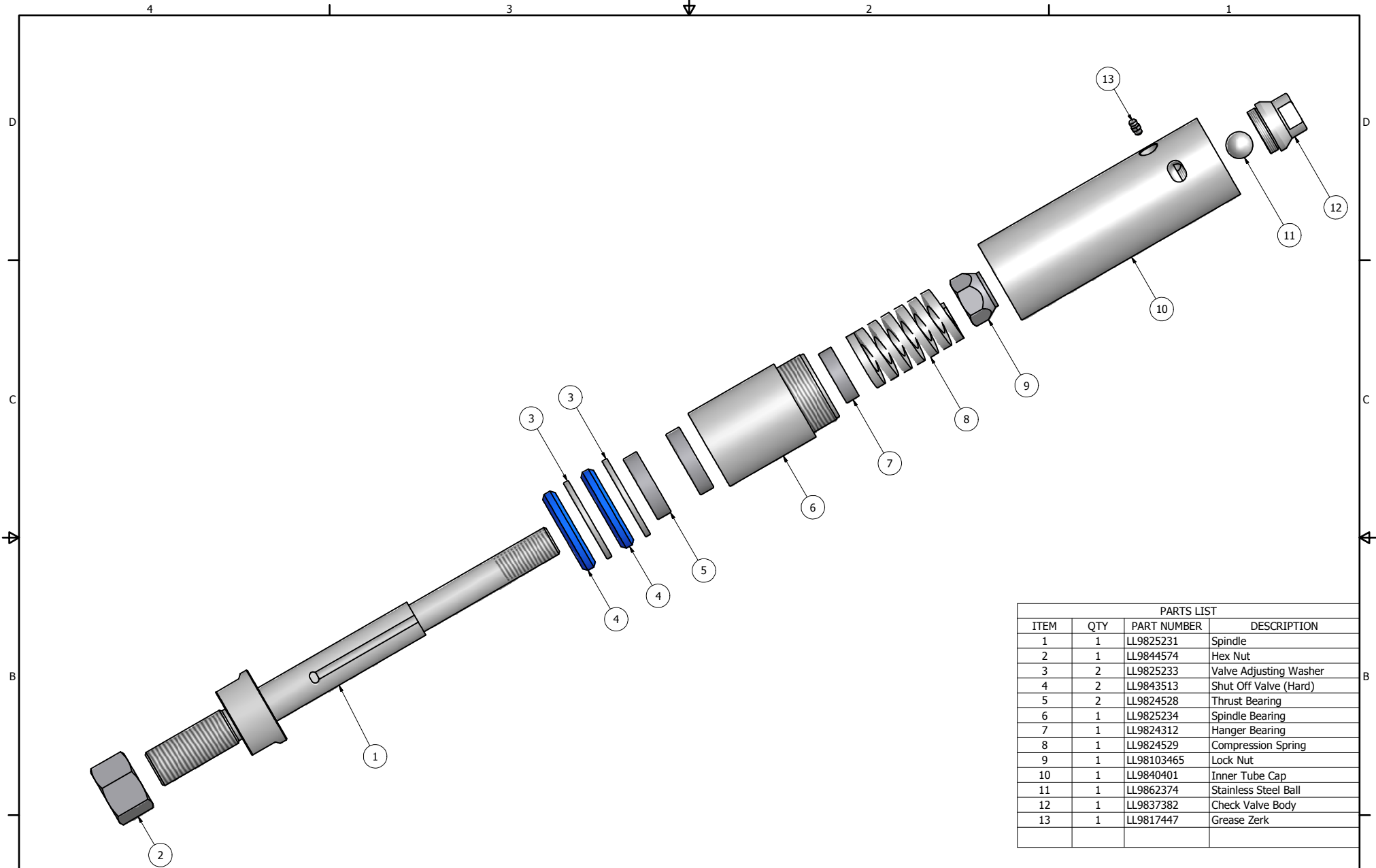
Not Shown: LL-9826 Locking Coupling Assembly

PARTS LIST				PARTS LIST			
ITEM	QTY	PART NUMBER	DESCRIPTION	ITEM	QTY	PART NUMBER	DESCRIPTION
1	1	LL-9801	RETRIEVING POINT	15	1	LL-9815	PISTON SHAFT SPRING
2	1	LL-9802	ROLL PIN	16	1	LL-9816	PISTON
3	1	LL-9803	SPRING HOUSING	17	1	LL-9817	J SLOT PIN
4	1	LL-9804	MAIN SHAFT	18	1	LL-9818	SLIDE TUBE
5	1	LL-9805	MAIN SPRING	19	1	LL9819	O-RING CARRIER
6	3	LL-9806	LATCH EARS	20	1	LL-9820	LANDING SHOULDER
7	1	LL-9807	LATCH BODY	21	1	LL-9821	BEARING ADAPTOR
8	1	LL-9808	MAIN CROSS PIN	22	2	LL-9822	O-RING
9	1	LL9809	COTTER PIN	23	1	LL-9823	GREASE ZERK
10	1	LL-9810	ROTATION LOCKING DOG	OPTIONAL PARTS			
11	2	LL-9811	ROTATION LOCKING DOG SPRING	25.A	1	LL-9825-A	PIVOT HEAD BASE
12	4	LL-9812	ROLL PIN	25.B	1	LL-9825-B	PIVOT HEAD
13	1	LL9813	ROLL PIN		NOT SHOWN	LL-9830	9 PIECE PI N KIT
14	1	LL-9814	PISTON SHAFT				



THIS DRAWING CONTAINS PROPRIETARY INFORMATION AND SHALL NOT BE REPRODUCED, COPIED, OR USED AS A BASIS FOR ANY MANUFACTURING WITHOUT PERMISSION FROM NORTHWEST MACHINE WORKS . ALL DRAWINGS MUST BE RETURNED UPON REQUEST.

PROGRAM NO	REV	GENERAL SPECIFICATIONS UNLESS OTHERWISE SPECIFIED RADIUS ALL CORNERS .0313 ANGLES = +/-1° DEBURR ALL SHARP CORNERS				NO: _____ REVISIONS: _____ DATE: _____	DRAWN BY: Paul C	ISSUED: 3/17/2011							
							CHECKED BY:								
							DISCUSSION: P & ID DRAWING								
							MATERIAL:								
							DWG NO. HWL Assembly								
<table border="1"> <tr> <td>X</td> <td>XX</td> <td>XXX</td> </tr> <tr> <td>.031</td> <td>.01</td> <td>.005</td> </tr> <tr> <td>250</td> <td>125</td> <td>63</td> </tr> </table>		X	XX	XXX	.031	.01	.005	250	125	63	2318 GRAND PARK DR. GRAND JUNCTION, CO 81505 970-242-1356				
X	XX	XXX													
.031	.01	.005													
250	125	63													



PARTS LIST			
ITEM	QTY	PART NUMBER	DESCRIPTION
1	1	LL9825231	Spindle
2	1	LL9844574	Hex Nut
3	2	LL9825233	Valve Adjusting Washer
4	2	LL9843513	Shut Off Valve (Hard)
5	2	LL9824528	Thrust Bearing
6	1	LL9825234	Spindle Bearing
7	1	LL9824312	Hanger Bearing
8	1	LL9824529	Compression Spring
9	1	LL98103465	Lock Nut
10	1	LL9840401	Inner Tube Cap
11	1	LL9862374	Stainless Steel Ball
12	1	LL9837382	Check Valve Body
13	1	LL9817447	Grease Zerk

THIS DRAWING CONTAINS PROPRIETARY INFORMATION AND SHALL NOT BE REPRODUCED, COPIED, OR USED AS A BASIS FOR ANY MANUFACTURING WITHOUT PERMISSION FROM NORTHWEST MACHINE WORKS . ALL DRAWINGS MUST BE RETURNED UPON REQUEST.

PROGRAM NO	REV	GENERAL SPECIFICATIONS UNLESS OTHERWISE SPECIFIED RADIUS ALL CORNERS .0313 ANGLES = +/-1° DEBURR ALL SHARP CORNERS				NO:	REVISIONS:	DATE:	DRAWN BY:	ISSUED
									Paul C	7/10/2012
									CHECKED BY:	
									DESCRIPTION:	HWL Bearing Assembly P&ID
									MATERIAL:	
	DWG NO.	LL9824000								

	X	XX	XXX
	.031	.01	.005
	250	125	63

2318 GRAND PARK DR.
GRAND JUNCTION, CO 81505
970-242-1356



2318 Grand Park Drive
Grand Junction, CO 81505
Ph: (970) 242-1356
Fax: (970) 241-1825
www.northwestmachine.com

<u>Part #</u>	<u>Description</u>
LL9800	HWL LOCK 'N' LOAD HEAD ASSY
LL9826	HWL LOCKING COUPLING HWL 9" Rod

REPLACEMENT PARTS

LL9801	* RETRIEVING POINT
LL9802	SS ROLL PIN
LL9803	* SPRING HOUSING
LL9804	* MAIN SHAFT
LL9805	* MAIN SPRING
LL9806	* LATCH EAR 3 REQ.
LL9807	LATCH BODY
LL9808	MAIN CROSS PIN
LL9809	COTTER KEY
LL9810	* ROTATION LOCK
LL9811	* ROTATION SPRING (2 REQ)
LL9812	SS ROLL PIN (4 REQ.)
LL9813	SS ROLL PIN
LL9814	* PISTON SHAFT
LL9815	* PISTON SPRING
LL9816	* PISTON
LL9817	'J'SLOT PIN
LL9818	* SLIDE TUBE
LL9818-ASSY	SLIDE TUBE ASSEMBLY
LL9819	O-RING CARRIER
LL9820	* LANDING SHOULDER
LL9821	BEARING ADAPTER
LL9822	* O-RING 2 REQ.
LL9823	ZERK
LL9825	PIVOT HEAD
LL9828	RESTRICTER PLUG
LL9829	LOAD TUBE
LL9830	* PIN KIT
LL9840	LATCH HEAD REPAIR KIT(* Included in Kit)
LL9844574	HEX NUT
LL9825231	SPINDLE
LL9843513	SHUT OFF VALVE, HARD
LL9825233	VALVE ADJUSTING WASHER
LL9824528	* THRUST BEARING (B-13)
LL9825234	* SPINDLE BEARING
LL9824312	* HANGER BEARING (B-9)
LL9824529	COMPRESSION SPRING
LL98103465	LOCK NUT
LL9840678	INNER TUBE CAP ASSY
LL9817447	GREASE FITTING
LL9862374	STAINLESS STEEL BALL
LL9840401	INNER TUBE CAP
LL9837382	CHECK VALVE BODY
LL9824000	BEARING ASSY (COMPLETE)

U.S. PATENT NO. 5,799,742
U.S. PATENT NO. 4,466,497

CONFIDENTIAL
Do Not Distribute

SAVE THE PLANET
PUT IT IN THE CORE BOX