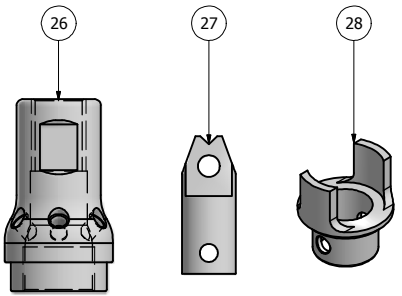


NOTE: Not shown LL-9626 Locking Coupling Assembly

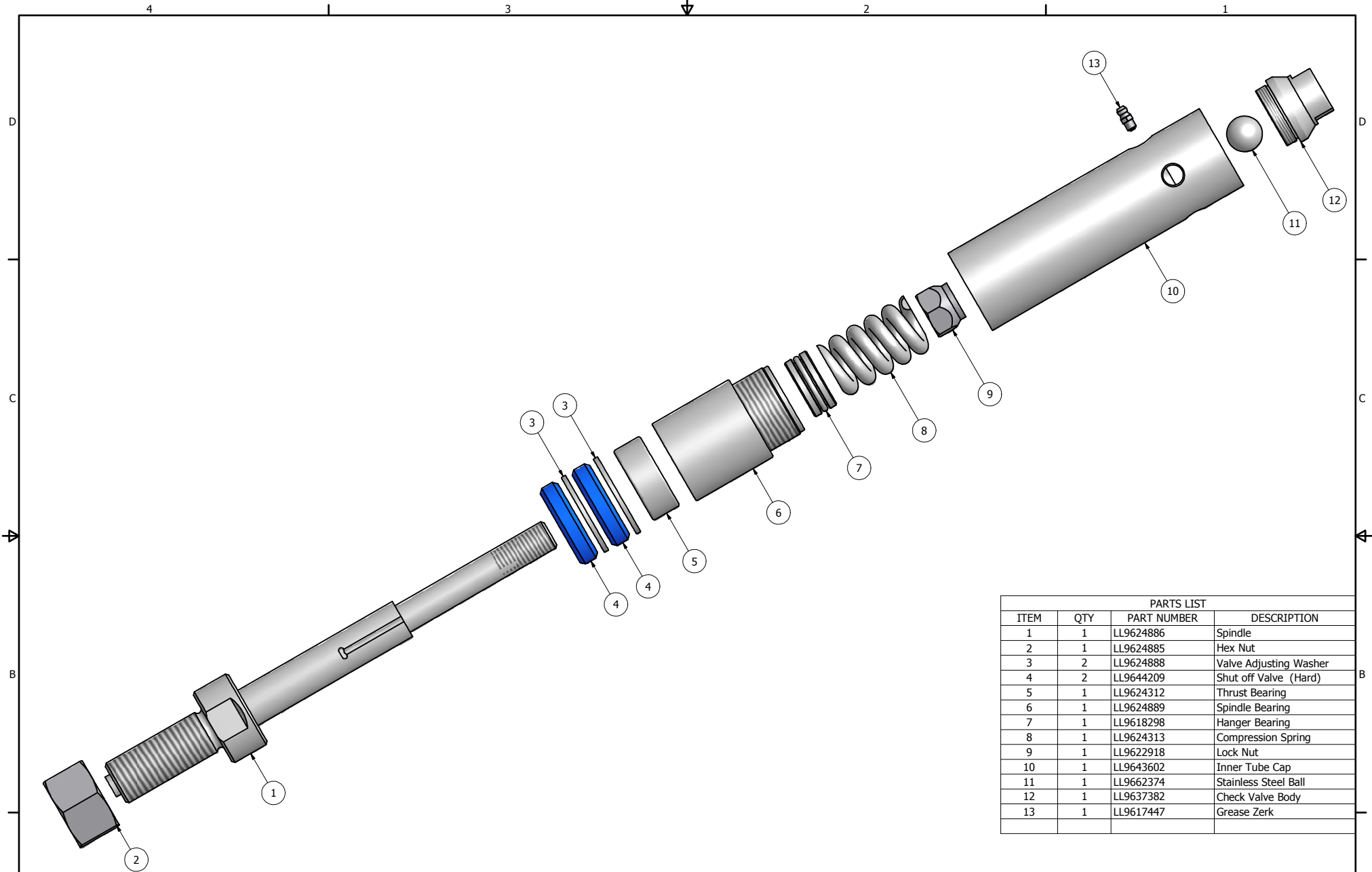
SECTION A-A  
SCALE 7/8

| PARTS LIST |     |             |                             | PARTS LIST |     |              |                  |
|------------|-----|-------------|-----------------------------|------------|-----|--------------|------------------|
| ITEM       | QTY | PART NUMBER | DESCRIPTION                 | ITEM       | QTY | PART NUMBER  | DESCRIPTION      |
| 1          | 1   | LL-9601     | RETRIEVING POINT            | 16         | 1   | LL-9616      | PISTON           |
| 2          | 1   | LL-9602     | ROLL PIN                    | 17         | 1   | LL-9617      | J-SLOT PIN       |
| 3          | 1   | LL-9603     | SPRING HOUSING              | 18         | 1   | LL-9618      | SLIDE TUBE       |
| 4          | 1   | LL-9604     | MAIN SHAFT                  | 19         | 1   | LL-9619      | O-RING CARRIER   |
| 5          | 1   | LL-9605     | MAIN SPRING                 | 20         | 1   | LL-9620      | LANDING SHOULDER |
| 6          | 3   | LL-9606     | LATCH EARS                  | 21         | 1   | LL-9621      | BEARING ADAPTOR  |
| 7          | 1   | LL-9607     | LATCH BODY                  | 22         | 2   | LL-9622      | O-RING           |
| 8          | 1   | LL-9608     | MAIN CROSS PIN              | 23         | 1   | LL-9623      | GREASE ZERK      |
| 9          | 1   | LL-9609     | COTTER PIN                  |            |     |              |                  |
| 10         | 1   | LL-9610     | ROTATION LOCKING DOG        |            |     |              | OPTIONAL PARTS   |
| 11         | 1   | LL-9611     | ROTATION LOCKING DOG SPRING |            |     |              |                  |
| 12         | 4   | LL-9612     | ROLL PIN                    |            |     |              |                  |
| 13         | 1   | LL-9613     | ROLL PIN                    | ITEM       | QTY | PART NUMBER  | DESCRIPTION      |
| 14         | 1   | LL-9614     | PISTON SHAFT                | 26         | 1   | LL-9621-NWL2 | BEARING ADAPTOR  |
| 15         | 1   | LL-9615     | PISTON SHAFT SPRING (inner) | 27         | 1   | LL-9625-A    | PIVOT HEAD       |
| 15         | 1   | LL-9615     | PISTON SHAFT SPRING (outer) | 28         | 1   | LL-9625-B    | ASSEMBLY         |
|            |     |             |                             | NOT SHOWN  |     | LL-9630      | 9 PIECE PIN KIT  |



THIS DRAWING CONTAINS PROPRIETARY INFORMATION AND SHALL NOT BE REPRODUCED, COPIED, OR USED AS A BASIS FOR ANY MANUFACTURING WITHOUT PERMISSION FROM NORTHWEST MACHINE WORKS . ALL DRAWINGS MUST BE RETURNED UPON REQUEST.

|            |     |   |     |                               |  |     |            |       |                     |                      |
|------------|-----|---|-----|-------------------------------|--|-----|------------|-------|---------------------|----------------------|
| PROGRAM NO | REV | GENERAL SPECIFICATIONS<br>UNLESS OTHERWISE SPECIFIED<br>RADIUS ALL CORNERS .0313<br>ANGLES = +/- 1°<br>DEBURR ALL SHARP CORNERS |     |                               | <p>2318 GRAND PARK DR.<br/>GRAND JUNCTION, CO 81505<br/>970-242-1356</p> | NO: | REVISIONS: | DATE: | DRAWN BY:<br>Paul C | ISSUED<br>10/10/2010 |
|            |     | CHECKED BY:   |     | DISCUSSION:<br>P & ID DRAWING |  |     |            |       |                     |                      |
|            |     | MATERIAL:<br>Default  |     | DWG NO.<br>NWL Assembly Dwg.  |  |     |            |       |                     |                      |
|            |     | X   | XX  | XXX                           |  |     |            |       |                     |                      |
|            |     | .031  | .01 | .005                          |  |     |            |       |                     |                      |
|            |     | 250   | 125 | 63                            |  |     |            |       |                     |                      |



| PARTS LIST |     |             |                        |
|------------|-----|-------------|------------------------|
| ITEM       | QTY | PART NUMBER | DESCRIPTION            |
| 1          | 1   | LL9624886   | Spindle                |
| 2          | 1   | LL9624885   | Hex Nut                |
| 3          | 2   | LL9624888   | Valve Adjusting Washer |
| 4          | 2   | LL9644209   | Shut off Valve (Hard)  |
| 5          | 1   | LL9624312   | Thrust Bearing         |
| 6          | 1   | LL9624889   | Spindle Bearing        |
| 7          | 1   | LL9618298   | Hanger Bearing         |
| 8          | 1   | LL9624313   | Compression Spring     |
| 9          | 1   | LL9622918   | Lock Nut               |
| 10         | 1   | LL9643602   | Inner Tube Cap         |
| 11         | 1   | LL9662374   | Stainless Steel Ball   |
| 12         | 1   | LL9637382   | Check Valve Body       |
| 13         | 1   | LL9617447   | Grease Zerk            |

THIS DRAWING CONTAINS PROPRIETARY INFORMATION AND SHALL NOT BE REPRODUCED, COPIED, OR USED AS A BASIS FOR ANY MANUFACTURING WITHOUT PERMISSION FROM NORTHWEST MACHINE WORKS . ALL DRAWINGS MUST BE RETURNED UPON REQUEST.

|            |     |  |  |  |  |     |            |       |  |           |
|------------|-----|--|--|--|--|-----|------------|-------|--|-----------|
| PROGRAM NO | REV | <b>GENERAL SPECIFICATIONS<br/>UNLESS OTHERWISE SPECIFIED</b><br>RADIUS ALL CORNERS .0313<br>ANGLES = +/-1°<br>DEBURR ALL SHARP CORNERS |  |  |  | NO: | REVISIONS: | DATE: | DRAWN BY:                              | ISSUED    |
|            |     |  |  |  |  |     |            |       | Paul C                                 | 4/10/2012 |
|            |     |  |  |  |  |     |            |       | CHECKED BY:                            |           |
|            |     |  |  |  |  |     |            |       | DESCRIPTION: NWL Bearing Assembly P&ID |           |
|            |     |  |  |  |  |     |            |       | MATERIAL:                              |           |
| DWG NO.    |     |  |  |  |  |     |            |       |  |           |
|            |     | LL9624000  |  |  |  |     |            |       |  |           |

| <u>Part #</u> | <u>Description</u>                 |
|---------------|------------------------------------|
| LL9600        | NWL LOCK 'N' LOAD HEAD ASSY        |
| LL9626        | NWL LOCKING COUPLING<br>NWL 9" Rod |

---

REPLACEMENT PARTS

---

|             |   |
|-------------|---|
| LL9601      | * RETRIEVING POINT                        |
| LL9602      | SS ROLL PIN                               |
| LL9603      | * SPRING HOUSING                          |
| LL9604      | * MAIN SHAFT                              |
| LL9605      | * MAIN SPRING                             |
| LL9606      | * LATCH EAR 3 REQ.                        |
| LL9607      | LATCH BODY                                |
| LL9608      | MAIN CROSS PIN                            |
| LL9609      | COTTER KEY                                |
| LL9610      | * ROTATION LOCK                           |
| LL9611      | * ROTATION SPRING                         |
| LL9612      | SS ROLL PIN 4 REQ.                        |
| LL9613      | SS ROLL PIN 3/32                          |
| LL9614      | * PISTON SHAFT                            |
| LL9615      | * PISTON SPRING                           |
| LL9616      | * PISTON                                  |
| LL9617      | 'J'SLOT PIN                               |
| LL9618      | * SLIDE TUBE                              |
| LL9618-ASSY | SLIDE TUBE ASSEMBLY                       |
| LL9619      | O-RING CARRIER                            |
| LL9620      | * LANDING SHOULDER                        |
| LL9621      | BEARING ADAPTER                           |
| LL9622      | * O-RING 2 REQ. (N70328)                  |
| LL9623      | ZERK                                      |
| LL9625      | PIVOT HEAD                                |
| LL9626      | LOCKING COUPLING                          |
| LL9628      | RESTRICTER PLUG                           |
| LL9629      | LOAD TUBE                                 |
| LL9630      | * PIN KIT                                 |
| LL9640      | LATCH HEAD REPAIR KIT( * Included in Kit) |
| LL9624885   | HEX NUT                                   |
| LL9624886   | SPINDLE                                   |
| LL9644209   | SHUT OFF VALVE, HARD                      |
| LL9624888   | VALVE ADJUSTING WASHER                    |
| LL9624312   | * THRUST BEARING                          |
| LL9624889   | * SPINDLE BEARING                         |
| LL9618298   | * HANGER BEARING                          |
| LL9624313   | COMPRESSION SPRING                        |
| LL9622918   | LOCK NUT                                  |
| LL9643604   | INNER TUBE CAP ASSY                       |
| LL9617447   | GREASE FITTING                            |
| LL9662374   | STAINLESS STEEL BALL                      |
| LL9643602   | INNER TUBE CAP                            |
| LL9637382   | CHECK VALVE BODY                          |
| LL9624000   | BEARING ASSY (COMPLETE)                   |

U.S. PATENT NO. 5,799,742  
U.S. PATENT NO. 4,466,497

CONFIDENTIAL

Do Not Distribute