

4

3

2

1

D

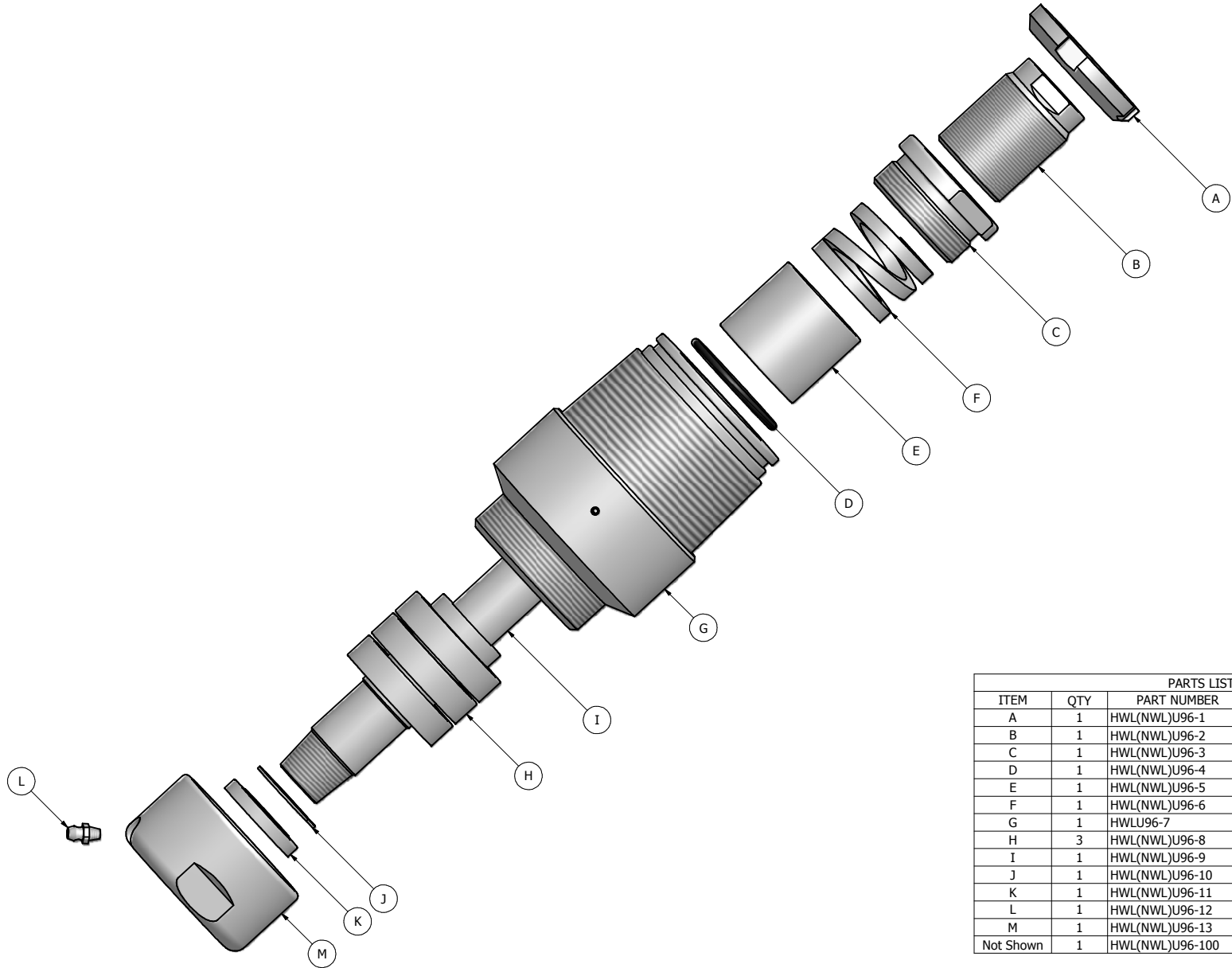
D

C

C

B

B



PARTS LIST			
ITEM	QTY	PART NUMBER	DESCRIPTION
A	1	HWL(NWL)U96-1	Lock Nut
B	1	HWL(NWL)U96-2	Adjuster
C	1	HWL(NWL)U96-3	Packing Nut
D	1	HWL(NWL)U96-4	O-Ring
E	1	HWL(NWL)U96-5	Packing Sleeve
F	1	HWL(NWL)U96-6	Rope Packing 1/4"- 24"
G	1	HWLU96-7	Swivel Body
H	3	HWL(NWL)U96-8	Bearings
I	1	HWL(NWL)U96-9	Swivel Stem
J	1	HWL(NWL)U96-10	Retaining Ring
K	1	HWL(NWL)U96-11	Seal
L	1	HWL(NWL)U96-12	Grease Zerk
M	1	HWL(NWL)U96-13	Swivel Cap
Not Shown	1	HWL(NWL)U96-100	Rebuild kit.

THIS DRAWING CONTAINS PROPRIETARY INFORMATION AND SHALL NOT BE REPRODUCED, COPIED, OR USED AS A BASIS FOR ANY MANUFACTURING WITHOUT PERMISSION FROM NORTHWEST MACHINE WORKS . ALL DRAWINGS MUST BE RETURNED UPON REQUEST.

PROGRAM NO	REV	GENERAL SPECIFICATIONS UNLESS OTHERWISE SPECIFIED RADIUS ALL CORNERS .0313 ANGLES = +/-1° DEBURR ALL SHARP CORNERS			<p>2318 GRAND PARK DR. GRAND JUNCTION, CO 81505 970-242-1356</p>	NO:	REVISIONS:	DATE:	DRAWN BY: Paul C	ISSUED 1/23/2012	
		X	XX	XXX						CHECKED BY:	
		.031	.01	.005						DESCRIPTION: P & ID DRAWING	
		250	125	63						MATERIAL:	
									DWG NO.	HWL Water Swivel Assembly	

4

3

2

1

A

A