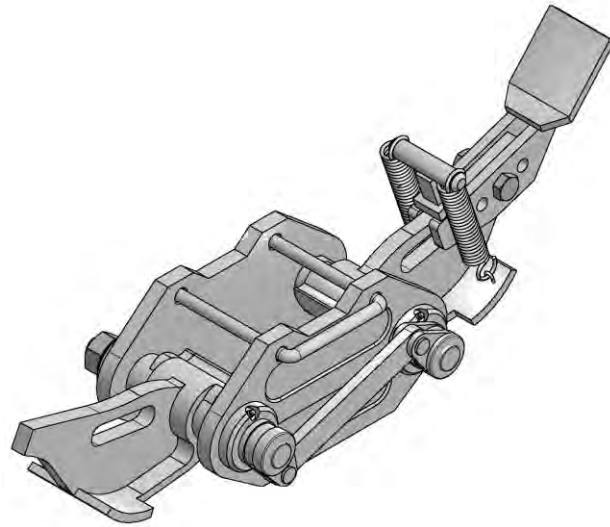


5 x 5 Manual Foot Clamp



Technical Information

- Weight (without jaws): 85 lb [38.7 kg]
- Length: 35" [88.9 cm]
- Width: 12" [30.5 cm]
- Height (jaws disengaged): 9" [22.9 cm]
- Height (jaws engaged): 12" [30.5 cm]
- Tested to 10,000 lb [4500 kg]



| Carbide Insert Jaw Sets (2 jaws per set) | | | | | | | | |
|--|------------------|------|-----------|------------------|------|------|------------------|------|
| Size | Weight (per set) | | Size | Weight (per set) | | Size | Weight (per set) | |
| | lb | kg | | lb | kg | | lb | kg |
| AW Rod | 53.8 | 24.5 | AW Casing | 41.0 | 18.7 | AWL | 53.8 | 24.5 |
| BW Rod | 42.0 | 19.1 | BW Casing | 38.0 | 17.3 | BWL | 42.0 | 19.1 |
| NW Rod | 39.0 | 17.8 | NW Casing | 29.8 | 13.6 | NWL | 35.0 | 15.9 |
| | | | HW Casing | 23.0 | 10.5 | HWL | 27.0 | 12.3 |

When making or breaking a long string of rods, the 5 x 5 Manual Foot Clamp uses carbide insert steel jaws to hold the drill string concentric and prevent it from dropping down the hole.

ENGAGING THE FOOT CLAMP: The drill string is hoisted, the foot clamp jaws are set in place, the string is lowered and the weight of the drill string engages the jaws so they grip either just below the first joint to allow removal of a rod, or near the top end of the string to permit addition of a rod. **NEVER STAND ON OR NEAR THE FOOT CLAMP OR FOOT PEDAL WHEN THE DRILL STRING IS BEING LOWERED WITH THE JAWS IN PLACE.**

DISENGAGING THE FOOT CLAMP: The drill string must be hoisted to release tension on the jaws. Only then should the foot pedal be depressed to allow the foot clamp jaws to disengage. **NEVER STAND ON OR NEAR THE FOOT CLAMP OR FOOT PEDAL WHEN THE DRILL STRING IS BEING LOWERED WITH THE JAWS IN PLACE.** If the drill string is lowered quickly, the force of the jaws engaging can cause the foot pedal to pop up with considerable force, significantly increasing the potential for injury to any individual in close proximity to the foot clamp during engagement.